

## UNDERWATER ACOUSTIC DATA ACQUISITION SYSTEM

This system is a surface equipment that records acoustic signal from 6 hydrophone channels on a SSD and transmits real-time data either via Ethernet cable or Radio modem.

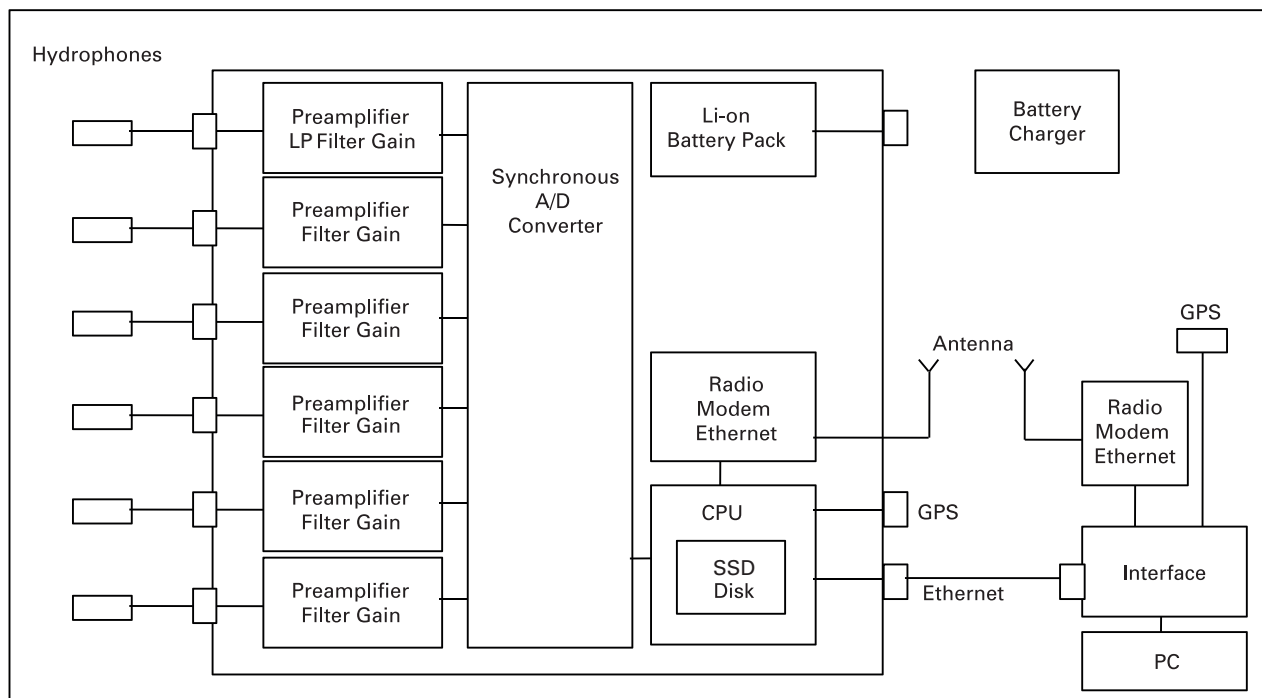
This equipment is dedicated to: acoustic measurements, recordings of ships and submarines acoustic signatures.

### DESCRIPTION

- 6 Broadband Channel Hydrophone preamplifiers
- 6 synchronous analog to digital converters,  $F_s=96\text{kHz}/24\text{bits}$
- 1 data logger unit on SSD
- 1 Interface Unit
- 1 PC with Real-time Display and Recording Software
- 1 GPS synchronized clock module
- 1 Li-ion battery pack

### FEATURES

- Data logging time > 10h, with 6 channels, full resolution and sample rate
- Low noise preamplifiers
- High accuracy, high stability clock module
- Real-time Data Monitoring



## TECHNICAL SPECIFICATIONS

### RECEPTION

Hydrophone Channels Quantity:	Up to 6
Preamplifier Bandwidth:	10 Hz to 45 kHz
Programmable Gain control:	+30dB to +70dB
Analog to Digital converter:	6 synchronous
Resolution:	24 bits
Sample Rate:	96 kHz
Data logging time:	> 10h
Recorded File:	WAV format
Power supply:	Li-ion battery Pack
Communication:	Gigabit-Ethernet link (100m) or 2.4GHz Radio link
Configuration and control:	By remote desktop
Operational duration:	> 10h

### HYDROPHONE

Directivity:	Omnidirectional
Bandwith:	10 Hz to 45 kHz
Depth:	Cable Length 300m max

### SOFTWARE

Realtime Display:	Temporal, FFT, 1/3 Octave, Sonogram
Realtime Recording:	WAV file on SSD

### BUOY

Dimension (Length x Diameter):	1030 mm x 500 mm
Weight in Air:	< 30kg
Housing Material:	Anodized Marine Aluminium
Drag Speed:	Up to 3 Knots